

# Wrap Around Case Packer<sup>®</sup>

Improving block finish and reducing cutting losses.  
Get your block into the best shape for cutting.



## BENEFITS

- Reduced off-cuts, improved appearance and shape.
- Achieve production consistency year round.
- Minimize shape distortion while in storage or transit.
- Extra block compression achieves the best block shape to maximise yield after storage.
- Right or left hand configuration available to fit any line.
- Large carton & liner blank magazines maximizes time between reloading.
- Simple to operate with intuitive information rich HMI.
- Open design allows easy access for cleaning and maintenance.

**Get in Touch**

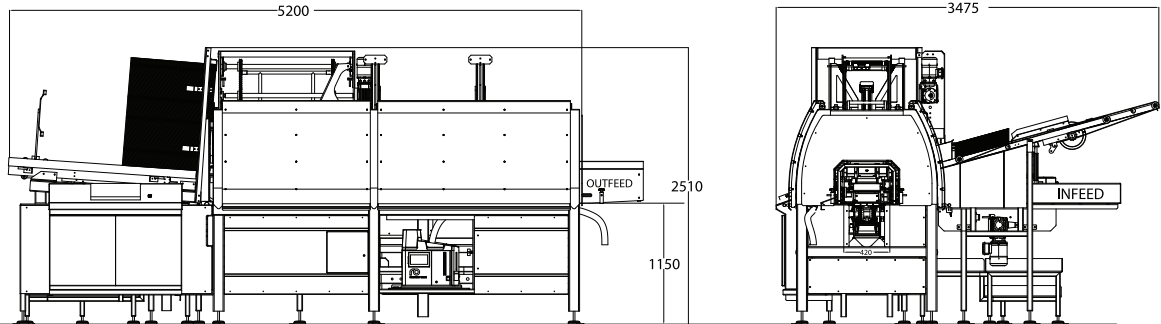
Contact us today to discuss your Case Packing needs and to find out more:

**Email:** [info@pft.ie](mailto:info@pft.ie) | **Website:** [www.powerfoodtec.com](http://www.powerfoodtec.com)



# Wrap Around Case Packer<sup>®</sup>

The solution to shape and finish problems associated with cheese block production.



Standard configuration shown. Other configurations available

Model	Capacity	Power	Comp Air	Length	Width	Height	Infeed Height
USA	12 Blocks per minute	12kW 460V 3Ph 60hz	24 CFM 90 PSIG	122 in	41.5 in	82.5 in	45 in +/- 2in
EU		3kW 400V 3Ph 50Hz	650 LPM 6 Bar	310 cm	105 cm	210 cm	115cm +/-5cm

## FEATURES:

- > Variable compression levels to match your specific cheeses.
- > Patented block doming on the top and bottom (to prevent dishing on a cold block).
- > Stainless steel frame and stainless steel/aluminium contact parts.
- > Precision heavy duty servo drive for a smooth transfer of case and product.
- > Simple Venturi unit for vacuum creation.
- > Low pressure air sensor protection device/cut out.
- > On board air receiver to ensure a smooth startup.
- > Machine fault alarm system including flashing beacon and auto diagnostics via panel view.
- > Low-level liner and blank indication. Automatic restart from any fault condition.
- > No liner, no blank and open flap detection systems.
- > All production and machine data is available for customers plant SCADA.



## POWER FOOD TECHNOLOGY LTD

Site 1E, Clane Business Park  
Clane, Co. Kildare, Ireland  
Tel: +353 (45) 82 0081

10053 Simonson Road, Suite 3  
Harrison, Oh 45030, USA  
Tel. +1 (513) 401 8281

